

BASIC VALVE PLASTIC



Applications

Hydraulic valves for irrigation purposes, potable water distribution and industrial processes.

Useful functions

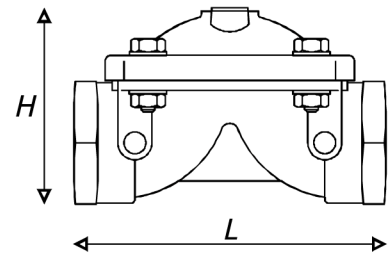
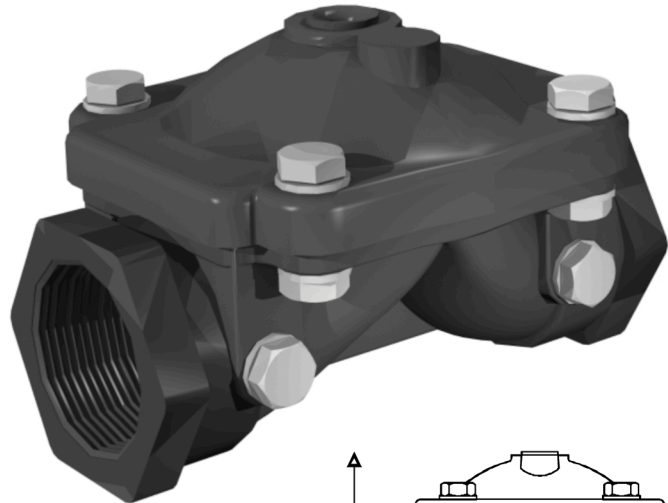
Electric valve	Level control (float valve)
Pressure reducing	Flow control
Pressure sustaining	Security valve

Advantages

Low pressure losses
Easy maintenance
Slow opening and closing to avoid hydraulic ham

Technical features

Material body and cover: Polyamide + glass fiber (PP option)
Coating: Powder polyester
Diaphragm: Natural rubber (NR), (EPDM, VITON option)
Spring: Stainless steel AISI 304, (AISI 316 option)
Threads: 1 1/2", 2", 3" BSP (NPT option)
Victaulic: 4"
Max working pressure: 10 bar



MINIMUM WORKING PRESSURE

VALVE	low press.	high press.
1 1/2"	0,3	0,7
2"	0,3	0,7
3"	0,5	0,9
4"	0,5	1,0

DIMENSIONS

Code	Valve	L	H	W	kg.
892915	1 1/2"	188	119	147	1
892920	2"	188	119	147	1
892930	3"	252	157	209	2,5
892940	4"	295	205	212	4,2

codes for low pressure diaphragm BP, for high pressure diaphragm AP, please consult

HEAD LOSS, FULLY OPENED VALVE (M).

Flow (m3/h)	5	10	15	20	25	30	35	40	45	50	55	60	65	70	80	90	100	125	150
1 1/2"	0,08	0,35	0,82	1,50	2,40	3,51	4,85	6,42	8,22	10,25									
2"	0,05	0,30	0,60	1,20	1,85	2,80	3,95	4,90	6,10	7,75									
3"	0,04	0,12	0,25	0,44	0,68	0,97	1,31	1,70	2,13	2,62	3,15	3,73	4,35	5,03	6,51	8,18	10,03		
4"	0,03	0,11	0,22	0,35	0,50	0,68	0,88	1,09	1,33	1,58	1,85	2,13	2,43	2,75	3,42	4,16	4,95	7,15	9,66

*Bold: advised flow rates